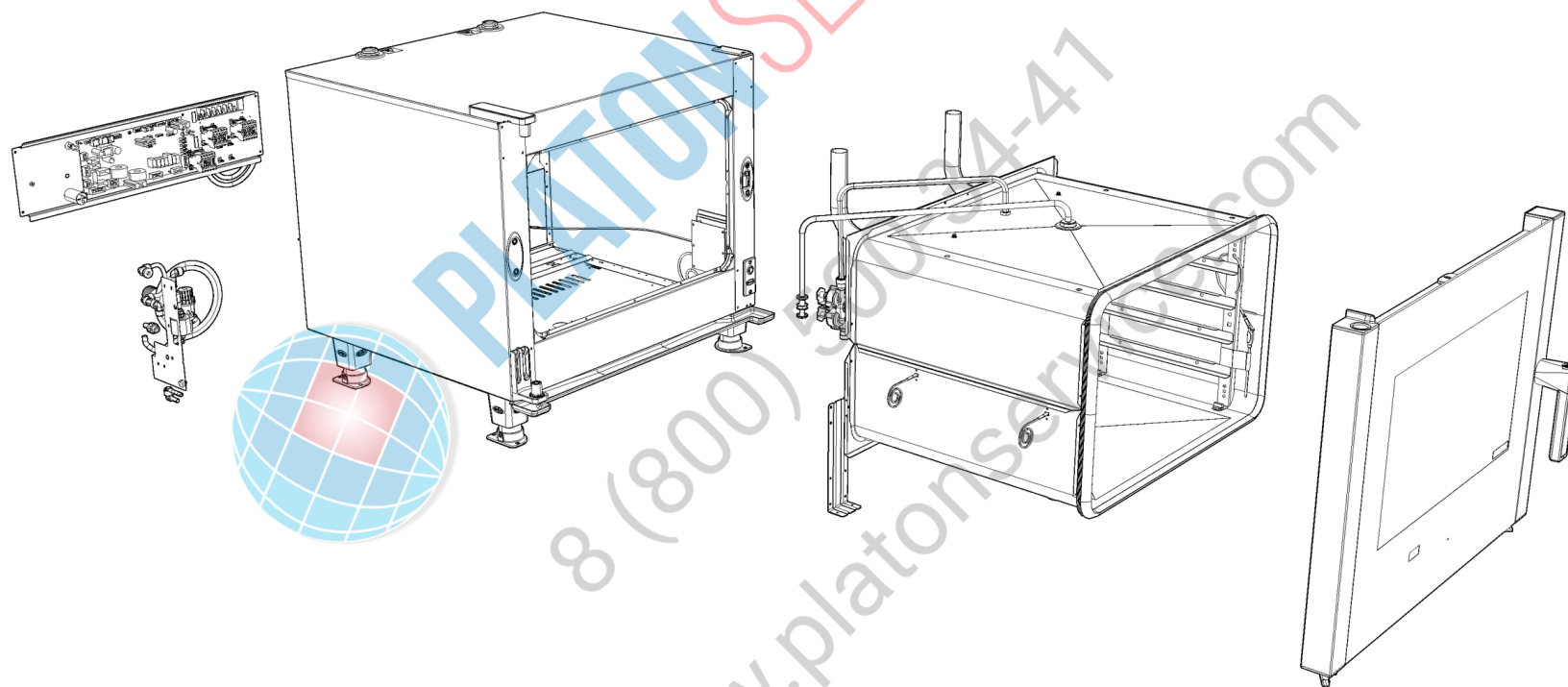
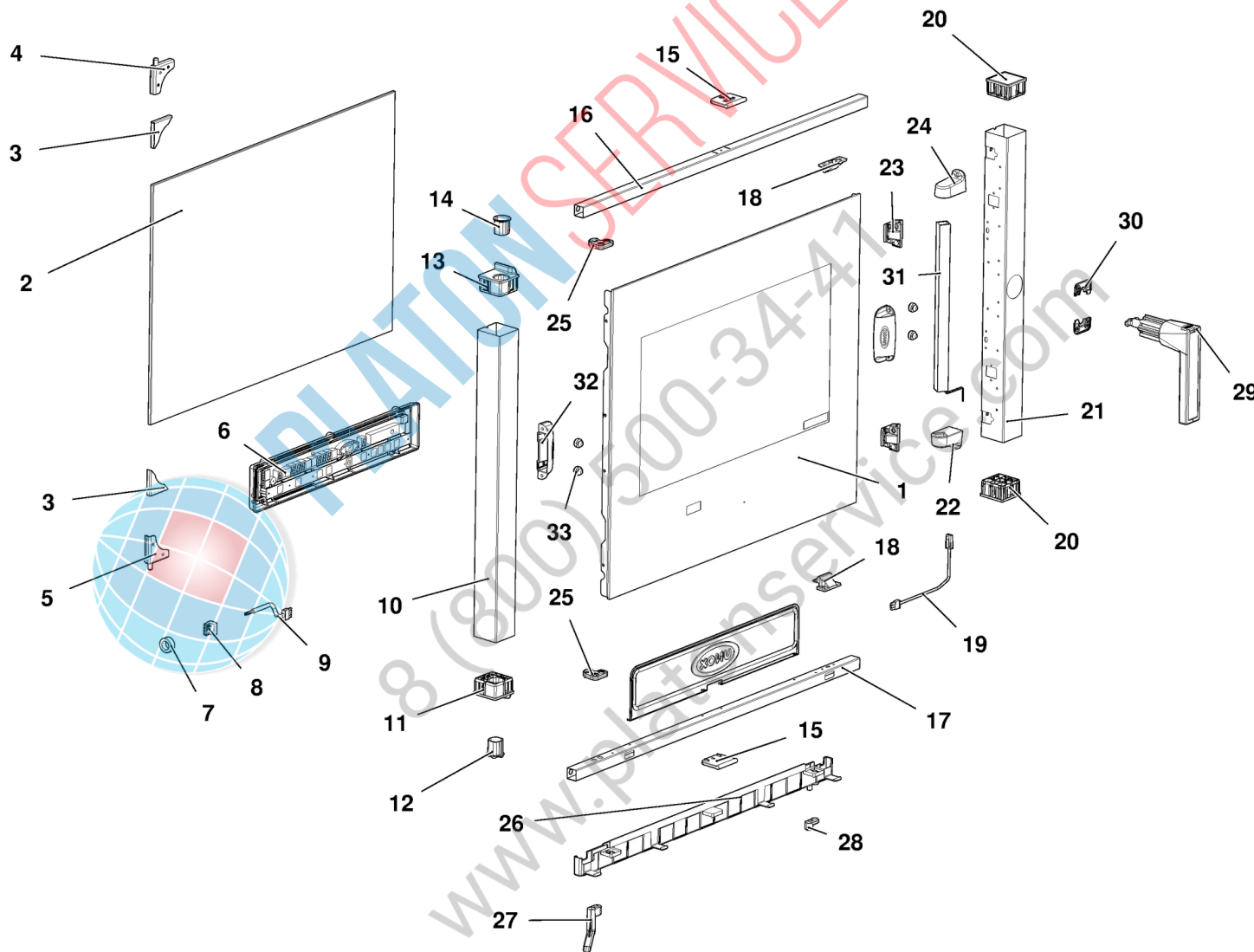


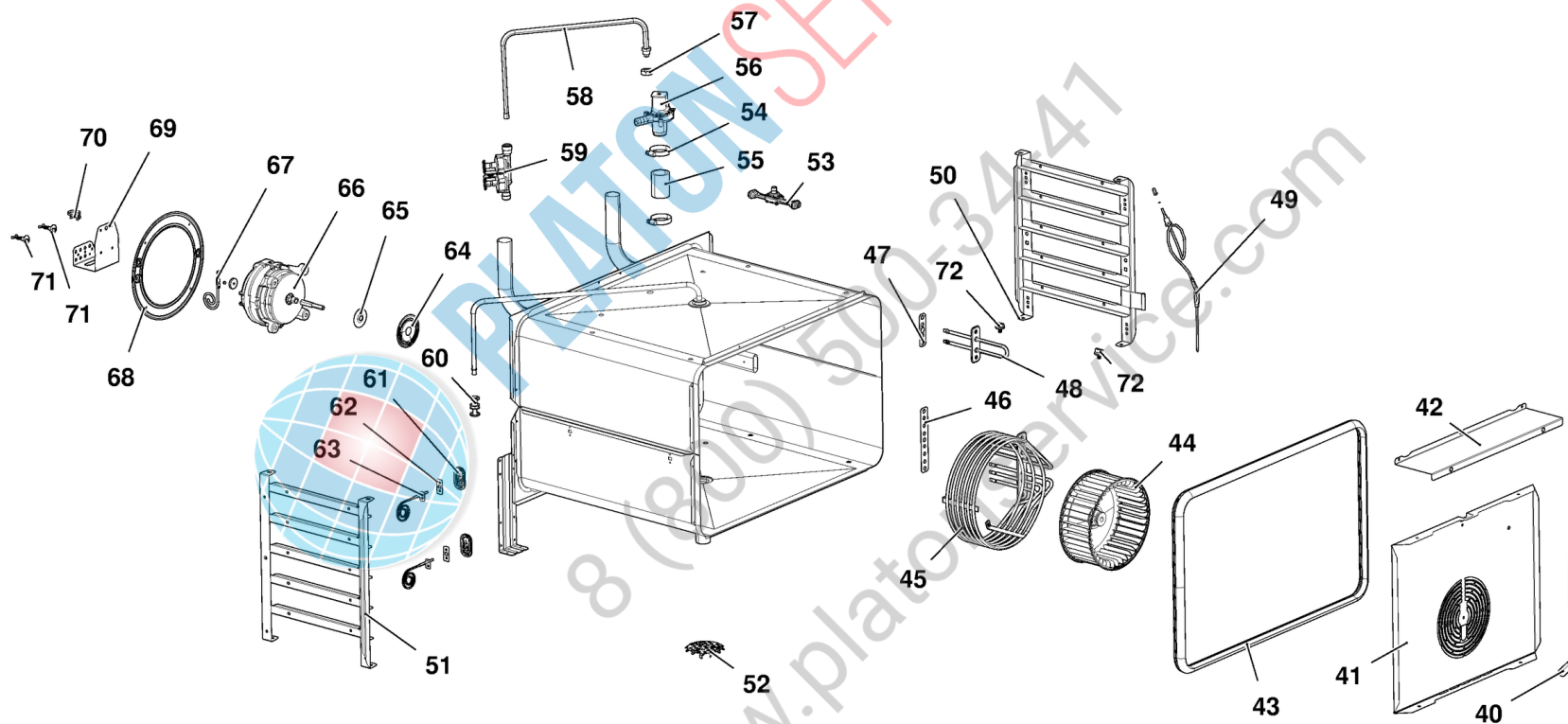
# MOD:XVC305E



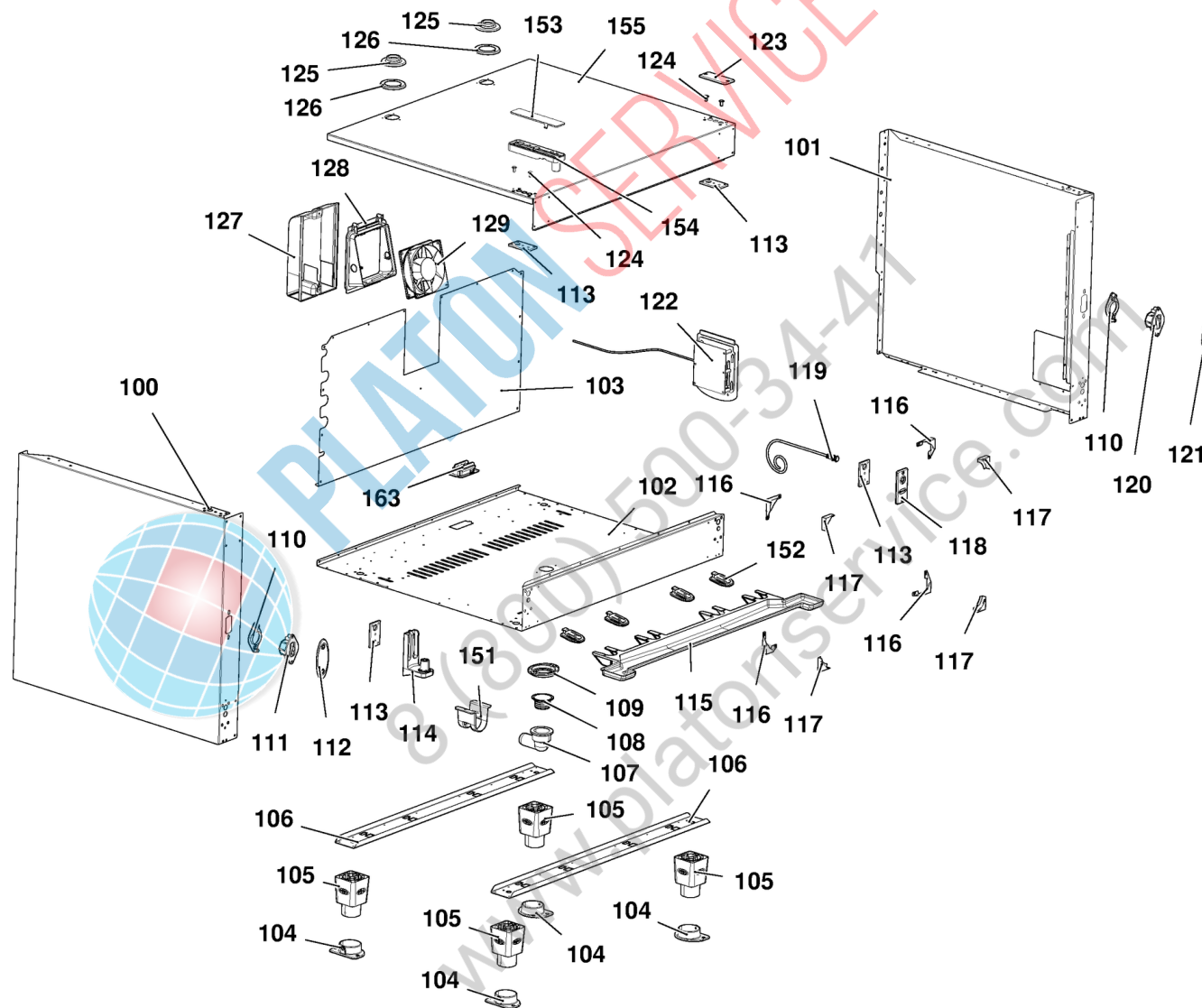
# MOD:XVC305E



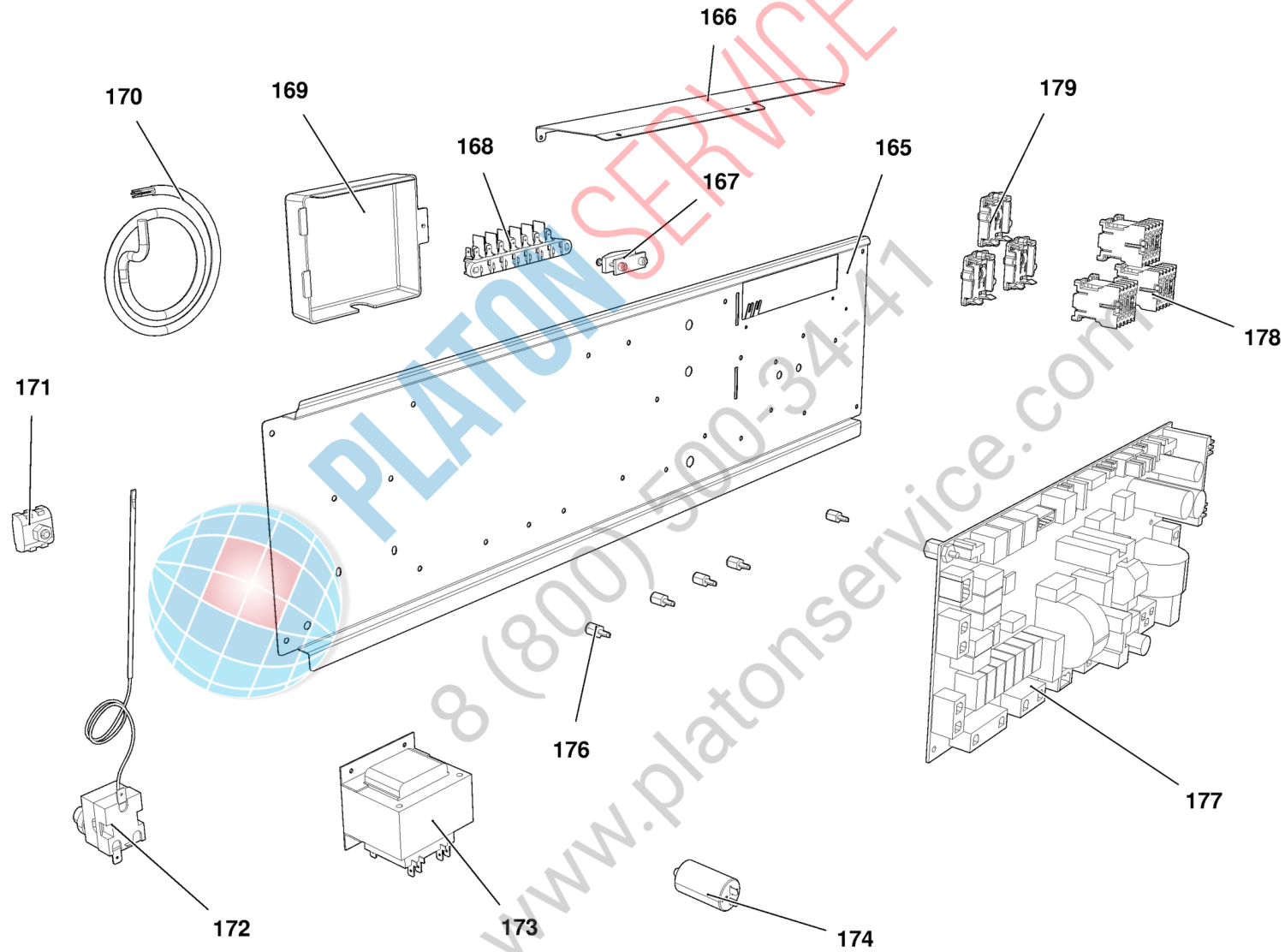
# MOD:XVC305E

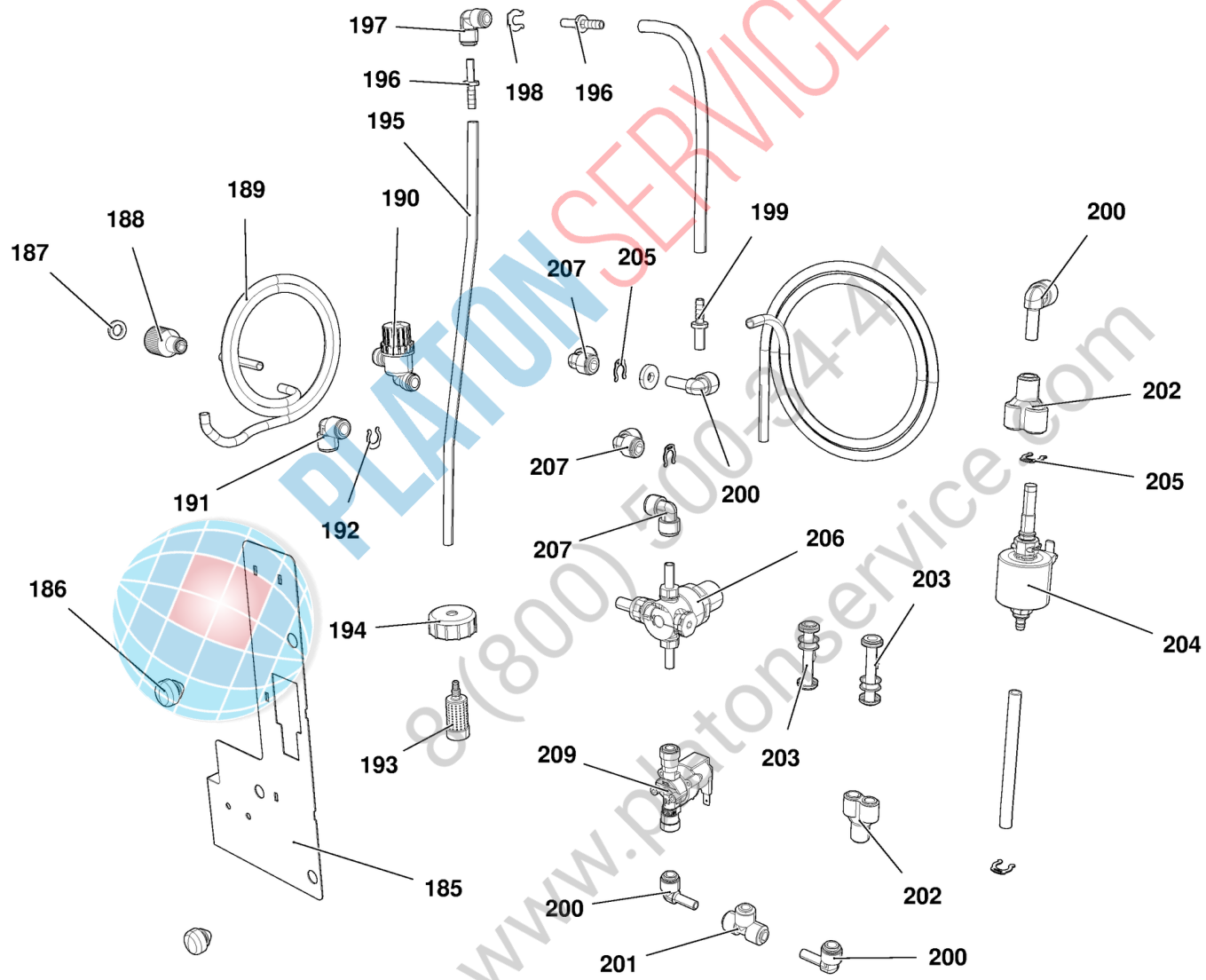


# MOD:XVC305E



# MOD:XVC305E





# MOD:XVC305E



IT

## Descrizione codici

|    |         |                                   |
|----|---------|-----------------------------------|
| 1  | VT1096B | VETRO ESTERNO SER. 647X555X4 CTFI |
| 2  | VT1095A | VETRO INTERNO 633X432X6 BETFL XVC |
| 3  | GN1181A | GUARNIZIONE CERN VETRO INT CR1085 |
| 4  | CR1085A | CERNIERA VETRO INT INOX SUP       |
| 5  | CR1086A | CERNIERA VETRO INT INOX INF       |
| 6  | PE1740A | SCHEDA CONTROLLO PE1705 CT BT     |
| 7  | CE1285A | FERRITE EMI ROUND MOD. 2643801502 |
| 8  | CE1290A | MORSETTO FEMMINA ESTRAIBILE CPF 5 |
| 9  | CE1275A | CAVO COLLEGAMENTO POTENZA CONTROL |
| 10 | TB1186A | COLONNINA SX XVC305 XBC405 50x50x |
| 11 | VM1171B | TAPPO FULCRO INF. PORTA XVC204/30 |
| 12 | VM1510A | BOCCOLA SCANALATA PERNO PORTA XBC |
| 13 | VM1170B | TAPPO FULCRO SUP. PORTA XVC204/30 |
| 14 | VM1511A | BOCCOLA LISCIA PERNO PORTA CHEFFT |
| 15 | VM2031A | PREMIVETRO ESTERNO                |
| 16 | TB2325A | LISTELLO SUP. XVC305E/505E/705E 2 |
| 17 | TB2326A | LISTELLO INF. XVC305E/505E/705E 2 |
| 18 | VM2043A | SUPPORTO VETRO SUP - INF          |
| 19 | CE1665A | CAVO ALIMENTAZIONE BARRA LED 1 MT |
| 20 | VM1175A | TAPPO ESTETICO COLONNINA PORTA    |
| 21 | TB2314A | COLONNINA DX XVC305E-XBC405E 50x5 |
| 22 | VM1620A | SUPPORTO INF BARRA LED            |
| 23 | VM2042A | ASSIEME CHIUSURA VETRO INTERNO LA |
| 24 | VM1621A | SUPPORTO SUP BARRA LED            |
| 25 | VM1680A | CERNIERA APERTURA VETRO INTERNO   |
| 26 | VM1616A | PROFILO SALVAGOCIA 300/500/700    |
| 27 | VM2014A | TUBO PER PROFILO RACCOGLI GOCCE S |
| 28 | VM2044A | TAPPO PER PROFILO RACCOGLI GOCCE  |
| 29 | VM1180B | IMPUGNATURA MANIGLIA CT BT        |
| 30 | VM1490A | COPRI VITI MANIGLIA CHEFTOP BAKER |
| 31 | LP1001B | BARRA ILLUMINAZIONE LED L300      |

|    |          |                                   |
|----|----------|-----------------------------------|
| 32 | VM1591A  | STAFFA SPINGIVETRO INTERNO XVC100 |
| 33 | VM1630A  | TAPPO PREMI VETRO INTERNO         |
| 40 | TB2320A  | TUBO UMIDITA' XVC305E/705E Ø16x1  |
| 41 | OG1490A  | CARTER ARIA XVC305E               |
| 42 | OG1493A  | DISTANZIALE CARTER XVC305E/705E   |
| 43 | GN1389C  | GN1006A-GUARNIZIONE PORTA XVC305E |
| 44 | VN1030A  | VENTOLA D196 H81 39 PALE DADO M8  |
| 45 | RS1205A  | RES. CIRCOLARE 5600W 230V D230 6  |
| 46 | GN1085A  | GUARNIZIONE RESISTENZA 141x24 G6. |
| 47 | GN1326A  | GUARNIZIONE RESISTENZA 71x19 G6.2 |
| 48 | RS1215A  | RES. PIANA 147W 105V D230 1 SPIRA |
| 49 | TR1040A  | SONDA AL CUORE STAMPATA L=1320    |
| 50 | GRL1220A | SUPPORTO LAT. DX 5 GN1/1 XVC305/3 |
| 51 | GRL1221A | SUPPORTO LAT. SX 5 GN1/1 XVC305/3 |
| 52 | OH2551A  | TAPPO PER TUBO DI SCARICO LIQUIDI |
| 53 | VM1955B  | CORPO GIRANTE LAVAGGIO            |
| 54 | RC1378A  | FASCETTA STRINGI TUBO ZINCATA     |
| 55 | TB1956A  | TB1520A-TUBO NERO EPDM L=50       |
| 56 | VE1135A  | ATTUATORE VENTURI 220V 50/60 Hz S |
| 57 | RC1170A  | DADO M14 H=8 CH=22 INOX           |
| 58 | TB1515A  | TUBO EST. UMIDITA' + RC1165A0     |
| 59 | EL1361A  | ELETTROVALVOLA TRI-STADIO JG D8-D |
| 60 | EL1055A  | RIDUZIONE INTERMEDIA D10-D8       |
| 61 | VM1465A  | COPERCHIO Sonda TEMPERATURA CHEFT |
| 62 | GN1285A  | GUARNIZIONE Sonda DI TEMPERATURA  |
| 63 | TR1105A  | SONDA TEMPERATURA PT100 L1000     |
| 64 | OH4305A  | DISCO TENUTA ALBERO MOTORE INOX S |
| 65 | GN1140A  | GUARNIZIONE PORTAMOTORE STAMP.    |
| 66 | VN1130A  | MOTORE FORNO 330W 230V 50/60HZ    |
| 67 | PE1710A  | SENSORE NUMERO GIRI MOTORE        |
| 68 | OH3586A  | LAMIERA PROTEZIONE MOTORE ZINCATO |

|     |         |                                   |
|-----|---------|-----------------------------------|
| 69  | OH4851A | STAFFA SUPPORTO CABLAGGI STD      |
| 70  | RC1310A | FASCETTA RICHCO 140X4 CON CLIP    |
| 71  | VM1610A | CLIP TWIST LOCK DIAM. 7,6-10,2 MM |
| 72  | VM1820A | NOTTOLINO M6 CROMATO FISS. SUPPOR |
| 100 | OD2176A | FIANCO SX XVC305E                 |
| 101 | OD2177A | FIANCO DX XVC305E                 |
| 102 | OE1318A | FONDO ESTERNO XVC305E/505E/705E   |
| 103 | OF1450A | SCHIENA XVC305E                   |
| 104 | PD1063A | STAFFA BLOCCAGGIO PIEDE CT BT     |
| 105 | PD1066B | PIEDE H100 PLASTICA BICOMPONENTE  |
| 106 | OH1019A | LAMIERA RINFORZO PIEDI H100 CT    |
| 107 | VL1026A | CURVA PER TUBO DI SCARICO         |
| 108 | GN1400A | GUARNIZIONE SIFONE                |
| 109 | VM2039A | ANELLO FISSAGGIO CURVA DI SCARICO |
| 110 | VM1192A | COPERCHIO SCROCCO MANIGLIA CT BT  |
| 111 | VM1191A | SCROCCO MANIGLIA SX CT BT         |
| 112 | VM1461A | COPERCHIO SX SCROCCO PORTA XBC/XV |
| 113 | OH2560A | CONTROSTAFFA ZINCATA PORTA C.T.   |
| 114 | VM1160B | STAFFA INFERIORE PORTA CT BT      |
| 115 | VM1991A | CASSETTO RACCOGLI GOCCE 750       |
| 116 | OH1450A | ANGOLO FACCIATA MUFFOLA INOX XB-X |
| 117 | VM1008A | ANGOLARE INT. SUPPORTO GUARNIZION |
| 118 | VM1201A | PIASTRINA SUPPORTO MICROPORTA MAG |
| 119 | VE1020A | MICROINTERRUTTORE PORTA MAGNETICO |
| 120 | VM1190A | SCROCCO MANIGLIA DX CT BT         |
| 121 | VM1460A | COPERCHIO DX SCROCCO PORTA XBC/XV |
| 122 | PE1971B | ASM SCHEDA UNOX.LINK MODBUS RJ45+ |
| 123 | VM1195A | PIASTRINA COPRIFORI XVC204/304/50 |
| 124 | VM1240A | TAPPO NYLON SUPPORTO CONTROSTAFFA |
| 125 | GN1275A | GUARNIZIONE CAMINO SILICONE NERO  |
| 126 | OH3790A | LAMIERA TENUTA CAMINO             |

|     |         |                                   |
|-----|---------|-----------------------------------|
| 127 | VM1556A | PROTEZIONE VENTOLA RAFFREDDAMENTO |
| 128 | VM1555A | SUPPORTO VENTOLA RAFFREDDAMENTO C |
| 129 | VN1163A | VENTOLA RAFFREDDAMENTO 230V       |
| 151 | VM2035A | SUPPORTO PER TUBO DI SCARICO      |
| 152 | VM2074A | CLIP CON VITE PER SUPPORTO CASSET |
| 153 | VM1166A | COPERCHIO STAFFA SUPERIORE PORTA  |
| 154 | VM1165B | STAFFA SUPERIORE PORTA CT BT      |
| 155 | OD2175A | COPERCHIO XVC305E/505E/705E       |
| 163 | VM2061A | PASSAPARETE CAVI ACCESSORI COMPLE |
| 165 | OH7047A | PROFILO PORTA COMP XVC305E/505E-E |
| 166 | OH7078A | PROFILO PROTEZIONE SCHEDA POTENZA |
| 167 | VE1075A | PRESSACAVO FV 268 RO+VITI FISSAGG |
| 168 | MR1004A | MORSETT. 7FTW GV VO VL CU 1+2+3/4 |
| 169 | VM1310A | SCATOLA COPRI MORSETTIERA XB/XV/X |
| 170 | CE1355A | CAVO 5X2,5MMQ H07RN-F L=1,5MT     |
| 171 | VM1750A | MORSETTIERA A PETTINE             |
| 172 | TR1136A | TERMOSTATO SIC. UNIP. 330°C       |
| 173 | VE1026A | TRASFORMATORE 230-21-12Vac 90VA   |
| 174 | CN1003A | CONDENSATORE CORAZZATO 6,3 uF     |
| 176 | VM1745A | SUPPORTO PER SCHEDA               |
| 177 | PE1725E | SCHEDA POTENZA FORNI CT-BT SS.E   |
| 178 | VE1115A | MINICONTATTORE QUADRIPOLORE 20 A  |
| 179 | VM1056A | STAFFA TELERUTTORE PICCOLO VE1115 |
| 185 | OH6413A | SUPPORTO IMPIANTO IDRICO          |
| 186 | VM1630A | TAPPO PREMI VETRO INTERNO         |
| 187 | GN1200A | GUARNIZIONE D=24 RACCORDO 3/4 GOM |
| 188 | RC1365A | RACCORDO JG FEMMINA 3/4"-10       |
| 189 | TB2237A | TUBO Ø10 ALLACCIAMENTO RETE       |
| 190 | VL1034A | FILTRO ACQUA Ø10 MESH100          |
| 191 | RC1360A | RACCORDO GOMITO JG 10-10          |
| 192 | EL1349A | CLIP BLOCCA PINZETTA RACCORDI D10 |

|     |         |                                   |
|-----|---------|-----------------------------------|
| 193 | VL1044B | FILTRO RETINATO CON AFFONDANTE    |
| 194 | VL1041B | TAPPO DETERGENTE FORATO Ø11       |
| 195 | TB2242B | TUBO PVC 9X6                      |
| 196 | VL1046A | PORTAGOMMA D6-CODOLO D6           |
| 197 | RC1373A | RACCORDO GOMITO Ø6F-Ø6F           |
| 198 | EL1348A | CLIP BLOCCA PINZETTA RACCORDI D6  |
| 199 | VL1047A | PORTAGOMMA D6-CODOLO D8           |
| 200 | EL1195B | RACCORDO GOMITO D8F-D8M           |
| 201 | EL1020A | RACCORDO INTERMEDIO "T" TUBO Ø8   |
| 202 | EL1115B | RACCORDO Y D8                     |
| 203 | EL1180A | RACCORDO NON RITORNO Ø8 Ø8 FEMMIN |
| 204 | VL1038A | POMPA VIBRAZIONE                  |
| 205 | EL1345A | CLIP BLOCCA PINZETTA RACCORDI Ø8  |
| 206 | VL1014A | RIDUTTORE DI PRESSIONE CON DISTRI |
| 207 | EL1185B | RACCORDO GOMITO D8F-D8F           |
| 208 | TB2235A | ROCCETTO DETERGENTE TUBO Ø8       |
| 209 | EL1411A | ELETTROVALVOLA H2O CON CHECK VALV |

# MOD:XVC305E



EN

## Codes descriptions

|    |         |                                   |
|----|---------|-----------------------------------|
| 1  | VT1096B | XVC305 EXTERNAL GLASS 647X555X4   |
| 2  | VT1095A | INNER GLASS 633X432X6 BETFL XVC30 |
| 3  | GN1181A | INTERNAL GLASS HINGE SEAL         |
| 4  | CR1085A | INTERNAL GLASS UPPER HINGE        |
| 5  | CR1086A | INTERNAL GLASS LOWER HINGE        |
| 6  | PE1740A | CT BT CONTROL BOARD PE1705 + BOAR |
| 7  | CE1285A | EMI ROUND FERRITE MOD.2643801502  |
| 8  | CE1290A | EXTRACTABLE FEMALE TERMINAL CPF 5 |
| 9  | CE1275A | CONNECTION CABLE POWER - CONTROL  |
| 10 | TB1186A | XVC305 XBC405 ST. ST. LEFT DOOR C |
| 11 | VM1171B | DOOR LOWER FULCRUM CAP            |
| 12 | VM1510A | XBC/XVC GROOVED DOOR PIN BUSHING  |
| 13 | VM1170B | UPPER DOOR FULCRUM CAP            |
| 14 | VM1511A | XBC/XVC SLEEK DOOR PIN BUSHING    |
| 15 | VM2031A | EXTERNAL GLASS PUSHING PLATE      |
| 16 | TB2325A | XVC305E/505E/705E UPPER LISTEL 20 |
| 17 | TB2326A | XVC305E/505E/705E LOWER LISTEL 20 |
| 18 | VM2043A | UPPER - LOWER GLASS SUPPORT       |
| 19 | CE1665A | LED POWER SUPPLY 1 M CABLE        |
| 20 | VM1175A | DOOR COLUMN BLANKING CAP          |
| 21 | TB2314A | XVC305E-XBC405E 50x50x1.2 RIGHT C |
| 22 | VM1620A | LED BAR LOWER SUPPORT             |
| 23 | VM2042A | INTERNAL GLASS LATERAL LOCKING SY |
| 24 | VM1621A | LED BAR UPPER SUPPORT             |
| 25 | VM1680A | INTERNAL GLASS HINGE              |
| 26 | VM1616A | 300/500/700 E SERIES DRIP PROFILE |
| 27 | VM2014A | LEFT DRIP PROFILE PIPE            |
| 28 | VM2044A | DRIP PROFILE CAP                  |
| 29 | VM1180B | ChefTop/BakerTop HANDLE HAFT      |
| 30 | VM1490A | CHEFTOP/BAKERTOP HANDLE SCREWS CO |
| 31 | LP1001B | LED LIGHTING BAR L300             |

|    |          |                                   |
|----|----------|-----------------------------------|
| 32 | VM1591A  | GLASS BRACKET INT. XVC1004        |
| 33 | VM1630A  | INTERNAL GLASS PUSHING CAP        |
| 40 | TB2320A  | XVC305E/705E INTERNAL WATER PIPE  |
| 41 | OG1490A  | XVC305E FAN GUARD                 |
| 42 | OG1493A  | XVC305E/705E FAN GUARD SPACER     |
| 43 | GN1389C  | GN1006A - XVC305E DOOR SEAL       |
| 44 | VN1030A  | MOTOR FAN D196 H81 39 BLADE NUT M |
| 45 | RS1205A  | 5600W 230V D230 6 TURNS HEATING E |
| 46 | GN1085A  | HEATING ELEMENT GASKET 141x24 G6. |
| 47 | GN1326A  | ELEMENT SEALING 70X22X0.8         |
| 48 | RS1215A  | 147W 105V D230 1 TURN FLAT ELEMEN |
| 49 | TR1040A  | MOLDED CORE PROBE L=1320          |
| 50 | GRL1220A | 5 GN1/1 ST. STEEL RIGHT LATERAL S |
| 51 | GRL1221A | 5 GN1/1 ST. STEEL LEFT LATERAL SU |
| 52 | OH2551A  | XBC/XVC ST. STEEL DRAIN COVER     |
| 53 | VM1955B  | WASHIG SYSTEM ROTOR               |
| 54 | RC1378A  | HOSE CLAMP                        |
| 55 | TB1956A  | TB1520A - EPDM BLACK PIPE L=50    |
| 56 | VE1135A  | VENTURI ACTUATOR 220 V 50/60 Hz S |
| 57 | RC1170A  | STAINLESS STEEL NUT M14 H=8 CH=22 |
| 58 | TB1515A  | EXTERNAL WATER PIPE + RC1165A0    |
| 59 | EL1361A  | J.G. THREE-STAGE SOLENOID VALVE D |
| 60 | EL1055A  | INTERMEDIATE REDUCTION FROM D=10  |
| 61 | VM1465A  | CHEFTOP TEMPERATURE PROBE COVER   |
| 62 | GN1285A  | NTC TEMPERATURE PROBE SEALING     |
| 63 | TR1105A  | TEMPERATURE PROBE PT100 L1000     |
| 64 | OH4305A  | ST. STEEL MOTOR SHAFT SEALING DIS |
| 65 | GN1140A  | MOLDED MOTOR SUPPORT GASKET       |
| 66 | VN1130A  | 330W 230V 50/60HZ MOTOR           |
| 67 | PE1710A  | MOTOR REVOLUTIONS SENSOR          |
| 68 | OH3586A  | ZINCATE MOTOR GUARD PLATE XBC-XVC |

|     |         |                                   |
|-----|---------|-----------------------------------|
| 69  | OH4851A | BRACKET SUPPORT WIRING HARNESS ST |
| 70  | RC1310A | 140x4 CLAMP WITH CLIP             |
| 71  | VM1610A | CLIP TWIST LOCK DIAM. 7,6-10,2 MM |
| 72  | VM1820A | LATERAL SUPPORTS M6 FIXING BOLTS  |
| 100 | OD2176A | XVC305E EXTERNAL LEFT SIDE        |
| 101 | OD2177A | XVC305E RIGHT SIDE                |
| 102 | OE1318A | XVC305E/505E/705E EXTERNAL BOTTOM |
| 103 | OF1450A | XVC305E EXTERNAL BACK PANEL       |
| 104 | PD1063A | CT BT FOOT STOP BRACKET           |
| 105 | PD1066B | BI-COMPONENT FOOT H100            |
| 106 | OH1019A | BRACKET FOR CHEFTOP H100 FEET     |
| 107 | VL1026A | BEND FOR DRAIN PIPE               |
| 108 | GN1400A | U-TRAP SEAL                       |
| 109 | VM2039A | DRAIN BEND FIXING RING            |
| 110 | VM1192A | CT BT DOOR SPRING LATCH COVER     |
| 111 | VM1191A | CT BT LEFT DOOR SPRING LATCH      |
| 112 | VM1461A | XBC/XVC LEFT DOOR LATCH CAP       |
| 113 | OH2560A | XBC/XVC ZINC PLAT. DOOR COUNTERBR |
| 114 | VM1160B | CT BT DOOR LOWER BRACKET          |
| 115 | VM1991A | CHEFTOP E SERIES DRIP TRAY        |
| 116 | OH1450A | XB-XV-XG ST. STEEL MUFFLE FRONT C |
| 117 | VM1008A | GASKET SUPPORT INTERNAL CORNER    |
| 118 | VM1201A | MAGNETIC SUPPORT PLATE FOR DOOR M |
| 119 | VE1020A | MAGNETIC DOOR MICROSWITCH         |
| 120 | VM1190A | CT BT RIGHT DOOR SPRING LATCH     |
| 121 | VM1460A | XBC/XVC RIGHT DOOR LATCH CAP      |
| 122 | PE1971B | UNOX.LINK MODBUS RJ45+USB         |
| 123 | VM1195A | HOLES BLANKING PLATE XVC204/304/5 |
| 124 | VM1240A | NYLON SUPPORT CAP                 |
| 125 | GN1275A | XBC/XVC BLACK CHIMNEY SEALING     |
| 126 | OH3790A | CHIMNEY HOLDING PLATE             |

|     |         |                                    |
|-----|---------|------------------------------------|
| 127 | VM1556A | XBC-XVC COOLING FAN GUARD          |
| 128 | VM1555A | CT BT COOLING DOWN FAN SUPPORT     |
| 129 | VN1163A | COOLING FAN 230V                   |
| 151 | VM2035A | DRAIN PIPE SUPPORT                 |
| 152 | VM2074A | C.T. DRIP TRAY FIXING CLIP WITH S  |
| 153 | VM1166A | CAP FOR DOOR UPPER STIRRUP XVC204  |
| 154 | VM1165B | CT BT DOOR UPPER BRACKET           |
| 155 | OD2175A | XVC305E/505E/705E EXTERNAL COVER   |
| 163 | VM2061A | ACCESSORIES CABLES WALL PASSING    |
| 165 | OH7047A | XVC305E/505E-EP/705E COMPONENTS H  |
| 166 | OH7078A | POWER CARD PROTECTING PROFILE H70  |
| 167 | VE1075A | WIRE CLAMP FV 268 RO + FIXING SCR  |
| 168 | MR1004A | TERMINAL 7FTW GV V0 VL CU 1+2+3/4  |
| 169 | VM1310A | COVER FOR TERMINAL BOX XB/XV/XVC/  |
| 170 | CE1355A | CABLE 5 X 2,5 MMQ H07RNF L = 1,5   |
| 171 | VM1750A | TERMINAL BOARD                     |
| 172 | TR1136A | SAFETY THERMOSTAT UNIP. 330°C      |
| 173 | VE1026A | TRANSFORMER 230-21-12Vac 80VA      |
| 174 | CN1003A | CONDENSER6,3 Uf                    |
| 176 | VM1745A | BOARD SUPPORT                      |
| 177 | PE1725E | E SERIES CHEFTOP-BAKERTOP POWER C  |
| 178 | VE1115A | MINI CONTACTOR WITH 4 POLES 20 A 2 |
| 179 | VM1056A | SUPPORT MINI CONTACTOR VE1115A     |
| 185 | OH6413A | WATER SYSTEM SUPPORT               |
| 186 | VM1630A | INTERNAL GLASS PUSHING CAP         |
| 187 | GN1200A | 3/4 CONNECTION SEAL D=24 RUBBER+N  |
| 188 | RC1365A | 3/4"-10 JG FEMALE CONNECTION       |
| 189 | TB2237A | Ø10 WATER MAIN CONNECTION PIPE     |
| 190 | VL1034A | Ø10 MESH100 WATER FILTER           |
| 191 | RC1360A | 10 - 10 JG ELBOW FITTING           |
| 192 | EL1349A | CLIP TO FIX Ø10 mm CONNECTION JOI  |

|     |         |                                   |
|-----|---------|-----------------------------------|
| 193 | VL1044B | HOLD DOWN WEIGHT WITH NET FILTER  |
| 194 | VL1041B | DETERGENT CAP WITH Ø11 HOLE       |
| 195 | TB2242B | WASHING SYSTEM PIPE 9x6           |
| 196 | VL1046A | D6 PIPE HOLDER - D6 J.G. TERMINAL |
| 197 | RC1373A | Ø6F-Ø6F ELBOW FITTING             |
| 198 | EL1348A | CLIP TO FIX Ø06 mm CONNECTION JOI |
| 199 | VL1047A | D6 PIPE HOLDER - D8 J.G. TERMINAL |
| 200 | EL1195B | D8F-D8M ELBOW CONNECTION          |
| 201 | EL1020A | INTERMEDIATE "" CONNECTION Ø8     |
| 202 | EL1115B | Y D8 CONNECTION                   |
| 203 | EL1180A | Ø8 Ø8 FEMALE NON-RETURN CONNECTIO |
| 204 | VL1038A | VIBRATION PUMP                    |
| 205 | EL1345A | CLIP TO FIX Ø08 mm CONNECTION JOI |
| 206 | VL1014A | PRESSURE REDUCER WITH DISTRIBUTOR |
| 207 | EL1185B | D8F-D8F ELBOW FITTING             |
| 208 | TB2235A | Ø8 DETERGENT PIPE COIL            |
| 209 | EL1411A | SOLENOID VALVE WITH CHECK VALVE   |